

## LEGEND

	4-year warranty		Non-Anodized
	Restriction of Hazardous Substance		Silver Anodized
	Recessed		Black Anodized
	Bendable		White
	Closet-Rated		Focusing Lens with 100% light transmission
	IP22		Universal Clear Pro with 91% light transmission
	Static White		Universal Frosted Pro with 80% light transmission
	High Density		Universal Clear with 85% light transmission
	Full Spectrum		Universal Frosted with 70% light transmission
	Side Emitting		Extreme Clear with 89% light transmission
	Ultra Slim		Extreme Frosted with 70% light transmission
	Dim to Warm		In-Ground Frosted with 58% light transmission
	Tunable White		Ultra Slim Frosted with 70% light transmission

\*Most Xicato Channels are IP65 ready with proper sealant applied around the end caps to completely seal the XFL inside the channel.

Xicato designs and delivers one of the broadest portfolio spot and linear light sources and electronics that enable architects, designers and building managers to create beautiful, smart spaces in which people love to live and work. With thousands of installations around the globe, Xicato continues to be a leading supplier of high quality lighting solutions. Xicato is defining the future of intelligent light sources by integrating electronics, software and connectivity. Founded in 2007, Xicato has offices in China, Europe and the U.S., with it's headquarters based in Silicon Valley.



See legend on first page

## Product Description

- Allows aesthetic assembly with concealed mounting brackets
- Minimum dimensions to obtain a line of light
- Designed to reach an IP67 waterproof rating

## Finish

Silver anodized

**SA**

## XCC-L Lenses\*

<b>TL BK</b>	<b>UNV CL</b>	<b>UNV FR</b>	<b>EX CL</b>	<b>EX FR</b>
33%	85%	70%	89%	70%

XCC-L-TL-BK

XCC-L-UNV-CL

XCC-L-UNV-FR

XCC-L-EX-CL

XCC-L-EX-FR

## XCC-E End Caps\*

XCC-E-S16-NA-NC-STD

## XCC-M Mountings\*

XCC-M-NS-NA-H

## Internal Channel Dimensions

Height: 11.3mm

Width for LED: 14mm

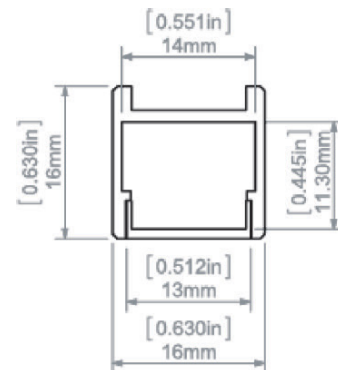
## Compatible XFL Products



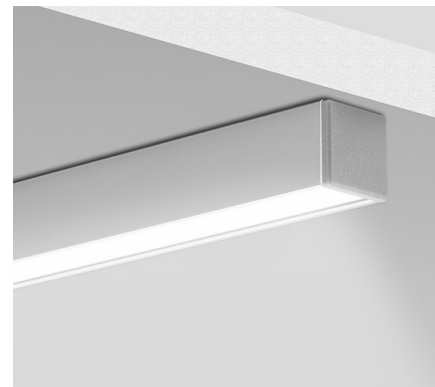
## Product Image



## Technical Drawing



## As Installed



## SKU Information

Product	Collection	Name Code	Surface Code	Length
XCC	C	CS16	SA	1
				2
				3

## Technical Specification

### Application:

- Designed for the construction of lighting fixtures mounted to horizontal surfaces
- Mainly under cabinets,shelves (kitchens, libraries, furniture)
- Clean shape, not distorted by technical detail, such as an external mounting bracket

### Mounting:

- With plastic mounting brackets attached to mounting surface with bolts
- Push the profile into the already mounted mounting brackets until you hear a click.

### Additional information:

- Can be equipped with transparent and frosted covers, aluminum-colored and metalized plastic end caps
- Space for LED strip: 0.55" / 14 mm
- Its distinctive feature is hooks in the outer part of the profile bottom, which together with dedicated mounting brackets are used for mounting the profile.
- After mounting, the brackets are concealed due to the shape of the profile cross-section
- Possibility of making a linear fixture with IP67 protection, which means the fixture is dustproof and waterproof.

## Note:

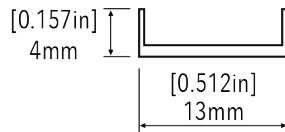
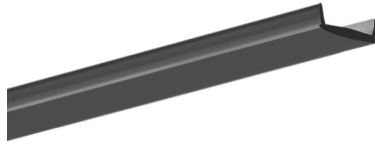
Turn off LED lights during peak day light hours in outdoor applications to avoid excessive heat buildup which will result in diminished LED life.

## Compatible Lenses

### XCC-L-TL-BK Black Transition Lens



33%



#### Description

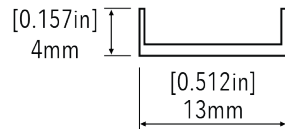
Matte black surface that turns white when the light is turned on with 33% light transmission. The cover is made of UV-resistant PC measuring 13mm wide and 4mm in height. When the LEDs are off, the cover is black. The best visual effect is obtained in profiles that are black inside.

SKU				
Product	Collection	Name Code	Surface Code	Length
XCC	L	TL	BK	
				1
				2

### XCC-L-UNV-CL Universal Clear



85%



#### Description

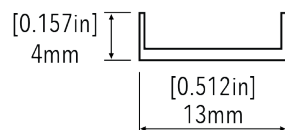
Basic 13mm wide and 4mm in height lens that is compatible with most of Xicato's channels, not UV resistant so best for indoor applications. Transmits 85% light.

SKU				
Product	Collection	Name Code	Surface Code	Length
XCC	L	UNV	CL	
				1
				2

### XCC-L-UNV-FR Universal Frosted



70%



#### Description

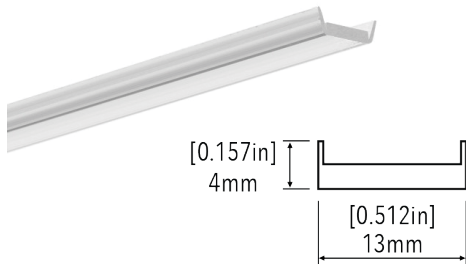
Basic 13mm wide and 4mm in height lens that is compatible with most of Xicato's channels, not UV resistant so best for indoor applications. Transmits 70% light.

SKU				
Product	Collection	Name Code	Surface Code	Length
XCC	L	UNV	FR	
				1
				2

## Compatible Lenses (Continued)

### XCC-L-EX-CL Extreme Clear

**EX  
CL**  
89%



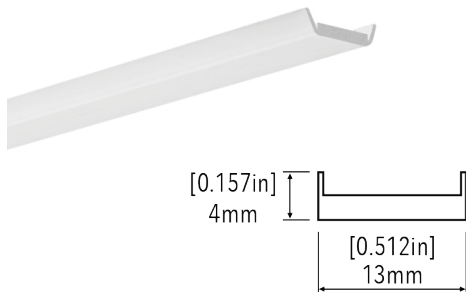
#### Description

13mm wide and 4mm in height, these rigid covers are durable under extreme climate condition. Double-sided UV protection withstanding temperatures of up to 248°F with 89% light transmission.

SKU				
Product	Collection	Name Code	Surface Code	Length
XCC	L	EX	CL	
				1
				2
				3

### XCC-L-EX-FR Extreme Frosted

**EX  
FR**  
70%



#### Description

13mm wide and 4mm in height, these rigid covers are durable under extreme climate condition. Double-sided UV protection withstanding temperatures of up to 248°F with 70% light transmission in the frosted version.

SKU				
Product	Collection	Name Code	Surface Code	Length
XCC	L	EX	FR	
				1
				2
				3

## Compatible End Caps

### XCC-E-S16-NA-NC-STD



#### Description

Basic PP end cap in gray. High resistance to damage. Will not corrode. Simple assembly. Aesthetically finishes the extrusion.

SKU			
Product Number	Material	Color	UV Resistant
XCC-E-S16-NA-NC-STD	PP	GREY	NO

## Compatible Mountings

### XCC-M-NS-NA-H

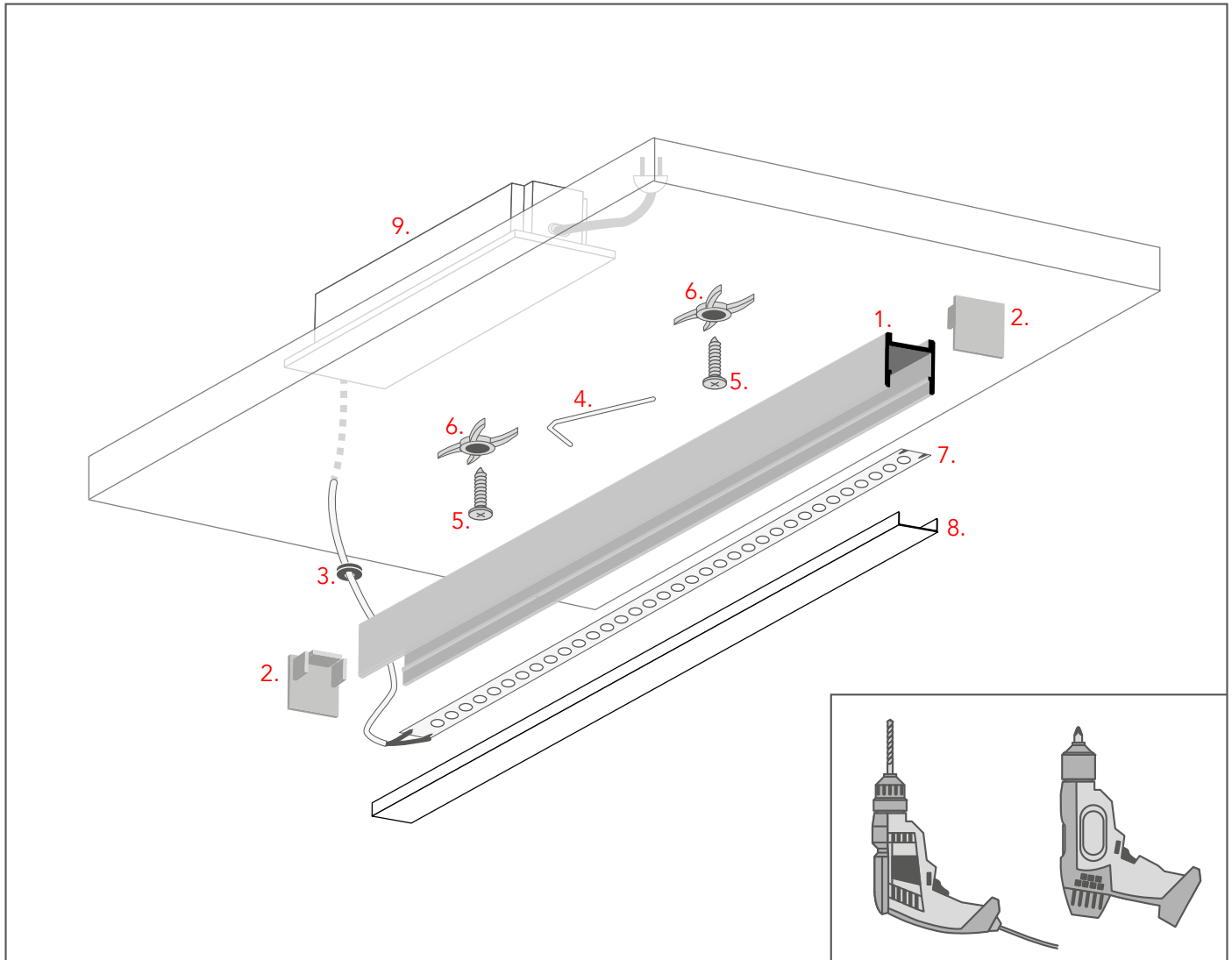


#### Description

A small plastic component used for mounting corresponding extrusions to a surface. It has a screw hole and four arms that clamp in the guide on the back of the extrusion. The clip screwed to the surface enables mounting of dedicated extrusions (without visible mounting parts) in a visually appealing way.

SKU		
Product Number	Material	Color
XCC-M-NS-NA-H	ABS	GRAY

## Mounting Instructions



1. XCC-C-CS16: Designer Square Conceal 16
2. End cap \*
3. Gland \*
4. Block \*
5. Screw
6. Mounting bracket \*
7. LED strip \*
8. Cover \*
9. Power supply 24V \*

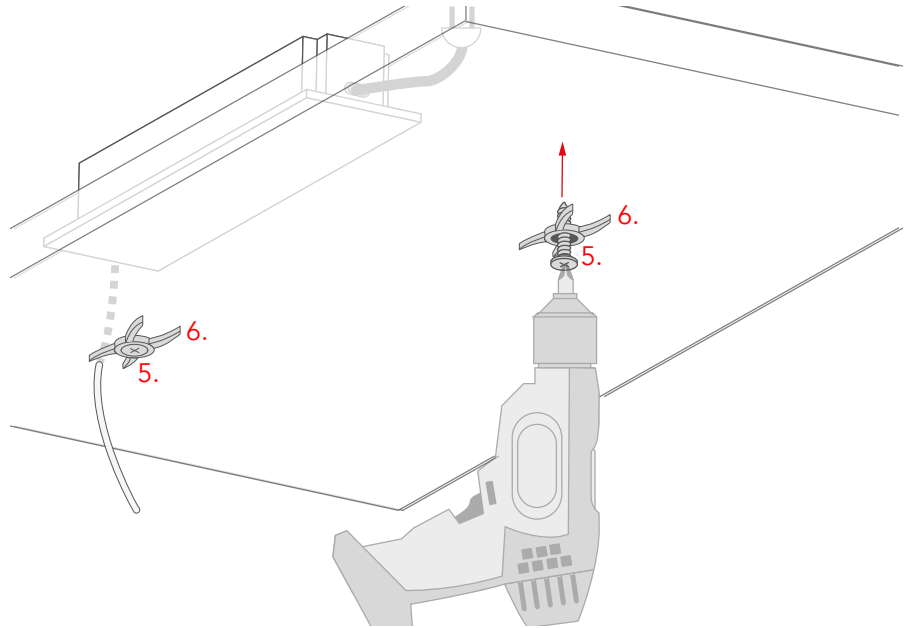
### NOTE:

- All LED tapes must be connected to a 24 V power supply.
- Not all possible mounting procedures are presented here.
- Drawings of extrusions and accessories in these instructions are simplified and only approximate the actual shapes.

## Mounting Instructions (Continued)

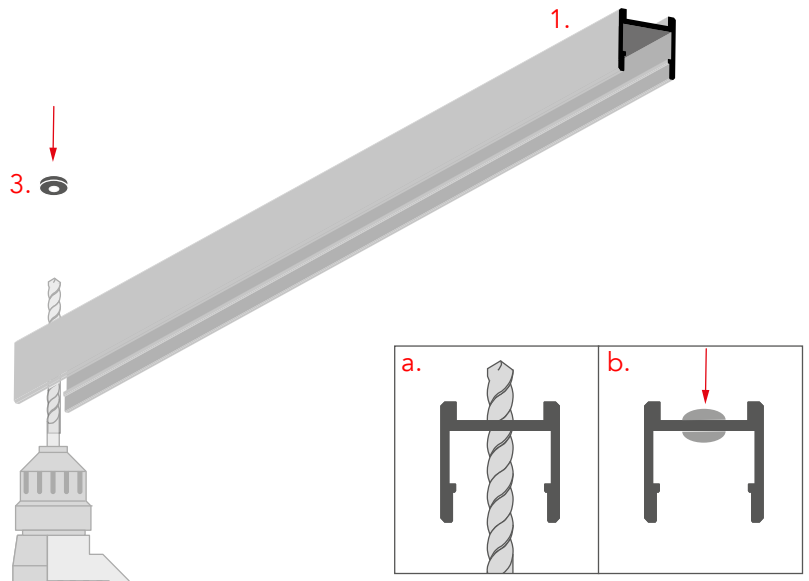
1

- Screw the mounting brackets (6) to the surface, using appropriate screws (5)
- It is recommended to use the following amounts of brackets:
  - 2 pcs for 1m of the profile
  - 4 pcs for 2m of the profile
  - 5 pcs for 3m of the profile



2

- Drill a hole in the profile (1) with a diameter adapted to the gland (3) used
- Insert the gland in the hole

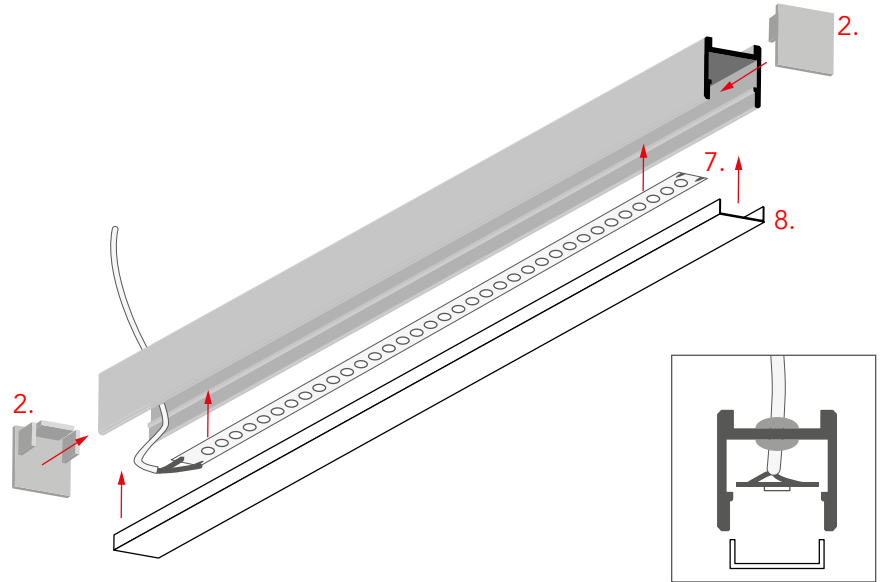




## Mounting Instructions (Continued)

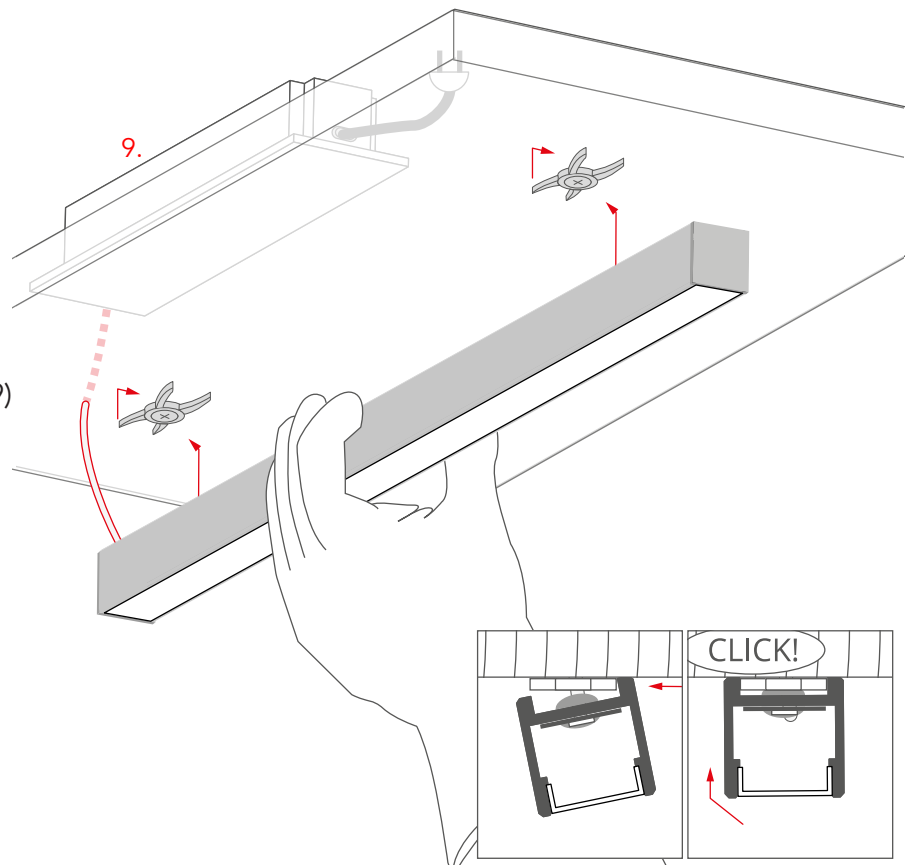
3

- Adhere the LED strip (7), lead the wire through the gland.
- Mount the end caps (2) and the cover (8).



4

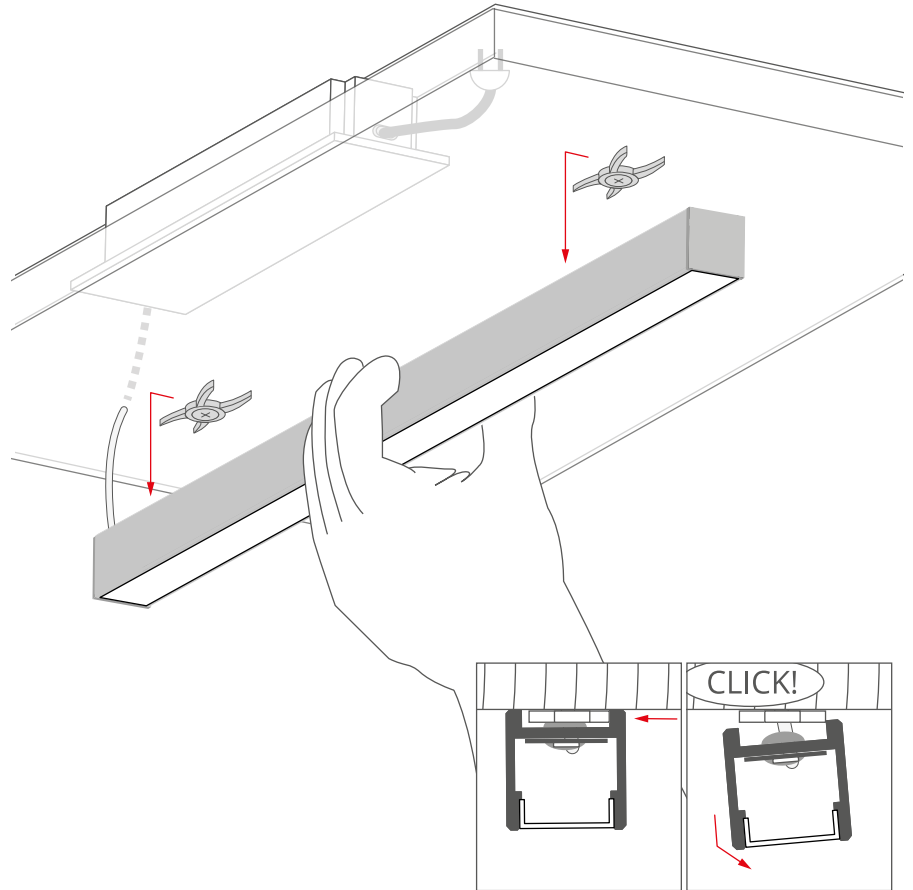
Connect the cable to the power supply (9) and mount the profile on the mounting brackets as shown on the drawing.



## Disassembly Instructions

1

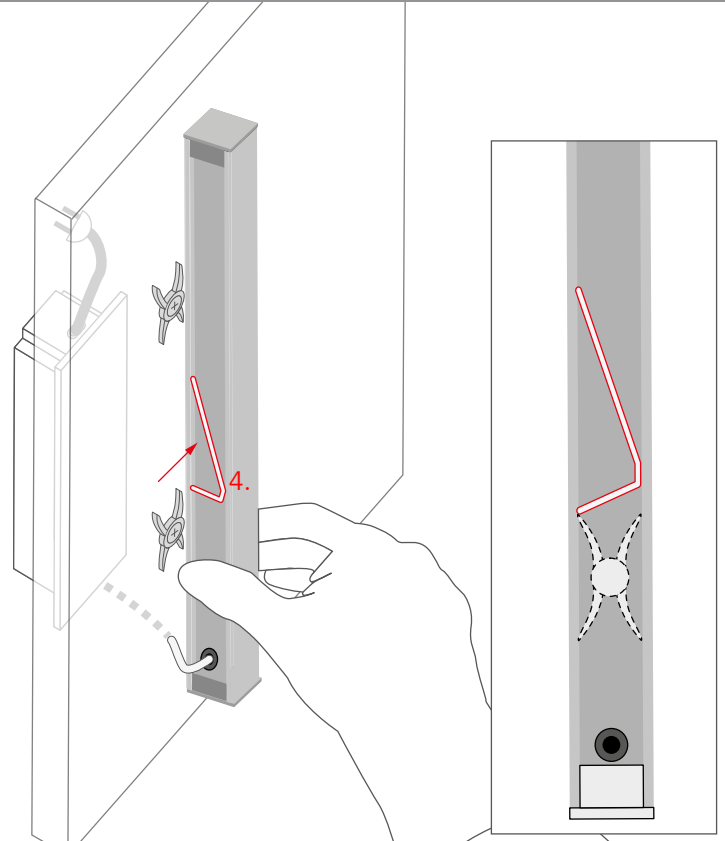
In order to disassemble the profile, move it perpendicularly to its axis and gently bend it away from the surface as shown on the drawing.



## Vertical Mounting Instructions

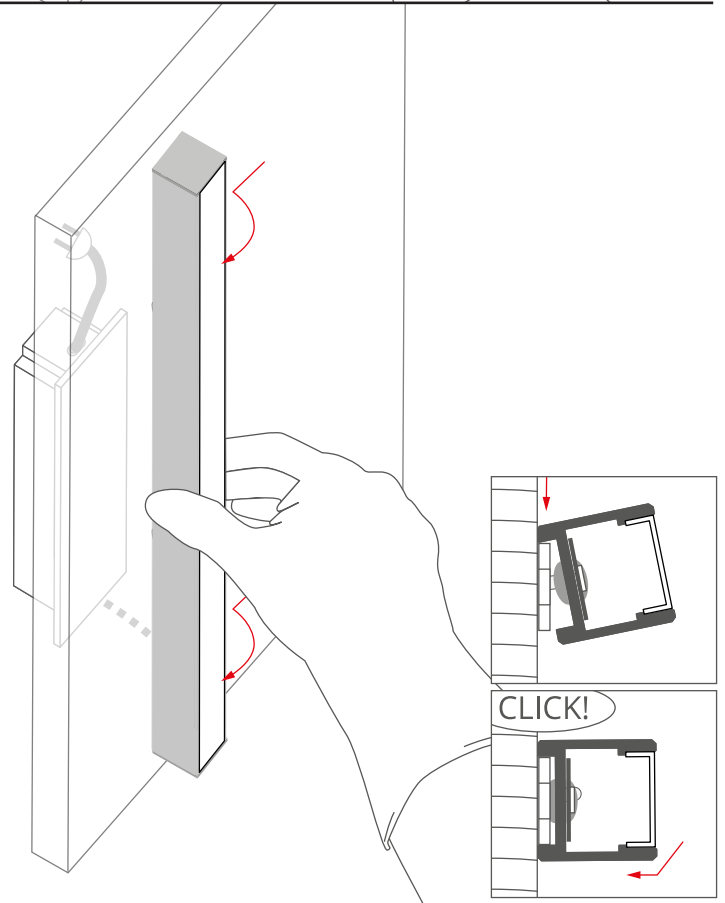
1

- Before the final installation place the assembled fixture next to the mounting brackets, so it is at its desired level
- Place the block (4) right over the mounting bracket. This will prevent the fixture from sliding down



2

- Finally, mount the profile to the surface





**Xicato Global Headquarters**

102 Cooper Court,  
Los Gatos, CA 95032

**Contact Us**

Tel: +1 866 223 8395  
info@xicato.com  
www.xicato.com

For the most up-to-date data sheet, please visit [xicato.com/support](http://xicato.com/support).