

Parts needed to mount the XCC-C-CSL extrusion



Extrusion (A)



Mounting strip (B)



Cover (C)



End cap (D)



Silicone cord (E)



LED strip (F)

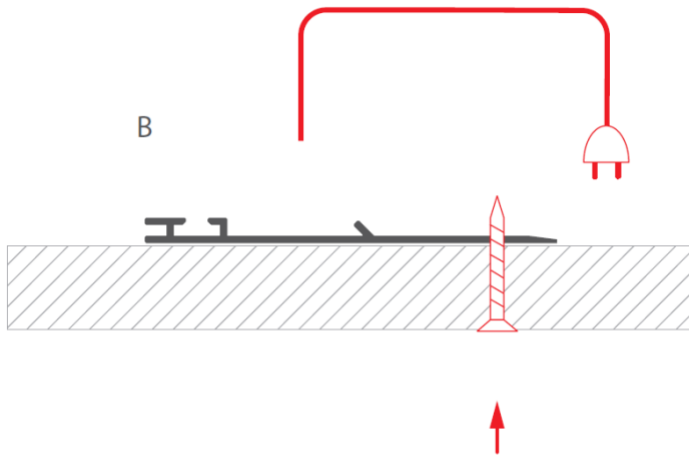
Tools needed for mounting:

- Drill
- Screwdriver

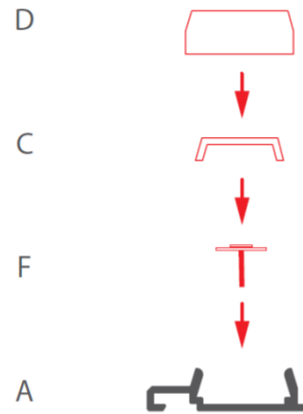
WARNING! All LED strips should be connected to a 24 V constant voltage power supply.

IMPORTANT: The mounting instructions present the basic form of assembly.
More methods and related accessories can be found at www.xicato.com

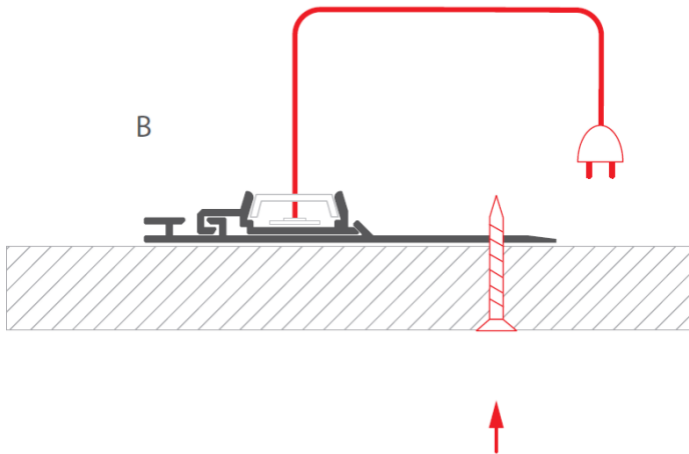
- 1.** Feed the power cable and attach the mounting strip (B) to the surface with screws.



- 2.** Feed the power cable. Mount the LED strip (F) insert the cover (C) and end cap (D).



- 3.** Connect power and assemble the extrusion (A) with the mounting strip (B).



- 4.** Feed the silicone cord (E) into the hole.

