

Project: \_\_\_\_\_

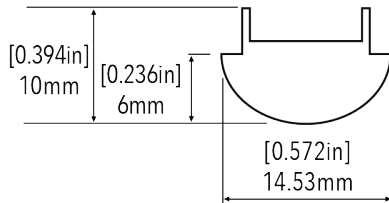
Designer: \_\_\_\_\_

Fixture: \_\_\_\_\_



See legend at end of document

#### XCC-L-SPF-CL Focusing Lens



#### Description

Semi-transparent satin lens offers homogenous line of light for focused lighting applications. Benefits include high transparency, quality and uniform cross-section. 14.53mm wide by 6mm in height. Transmits 100% light.

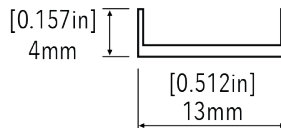
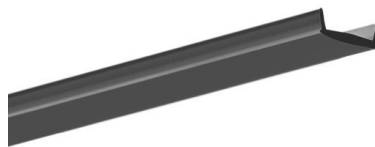
#### Compatible XCC-Channels

XCC-C-SPF

SKU

Product	Collection	Name Code	Surface Code	Length
XCC	L	FL	CL	1
				2
				3

#### XCC-L-TL-BK Black Transition Lens



#### Description

Matte black surface that turns white when the light is turned on with 33% light transmission. The cover is made of UV-resistant PC measuring 13mm wide and 4mm in height. When the LEDs are off, the cover is black. The best visual effect is obtained in profiles that are black inside.

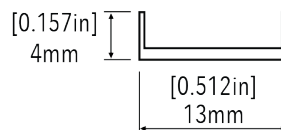
#### Compatible XCC-Channels

XCC-C-D45	XCC-C-S45	XCC-C-RSM	XCC-C-SS12	XCC-C-SPF
XCC-C-RND	XCC-C-SLM	XCC-C-CS16	XCC-C-REC	XCC-C-MSQ
XCC-C-DS16	XCC-C-C22	XCC-C-MRC	XCC-C-DS12	XCC-C-SS15

SKU

Product	Collection	Name Code	Surface Code	Length
XCC	L	TL	BK	1
				2

#### XCC-L-PRO-CL Universal Clear - Pro



#### Description

Easy snap-in lens allows for simplified field installation measuring 13mm wide and 4mm in height with increased UV resistance. Transmits 91% light.

#### Compatible XCC-Channels

XCC-C-R17	XCC-C-SLM	XCC-C-MRC	XCC-C-MSQ	
XCC-C-REC	XCC-C-R32	XCC-C-CSL		
XCC-C-SPF	XCC-C-RND	XCC-C-DS12		

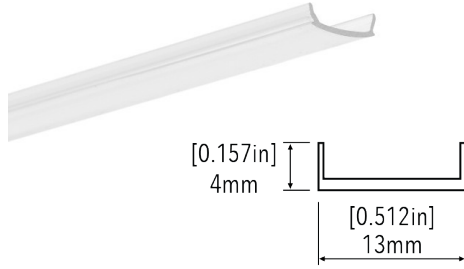
SKU

Product	Collection	Name Code	Surface Code	Length
XCC	L	PRO	CL	1
				2

**XCC-L-PRO-FR**  
Universal Frosted - Pro



80%



**Description**

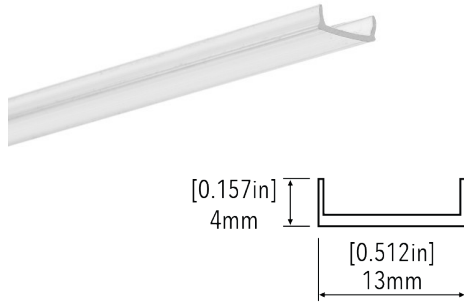
Easy snap-in lens allows for simplified field installation measuring 13mm wide and 4mm in height. Increased UV resistance with 80% light transmission in the frosted version.

Compatible XCC-Channels				
XCC-C-R17	XCC-C-SLM	XCC-C-MRC	XCC-C-MSQ	
XCC-C-REC	XCC-C-R32	XCC-C-CSL		
XCC-C-SPF	XCC-C-RND	XCC-C-DS12		
SKU				
Product	Collection	Name Code	Surface Code	Length
XCC	L	PRO	FR	
				1
				2

**XCC-L-UNV-CL**  
Universal Clear



85%



**Description**

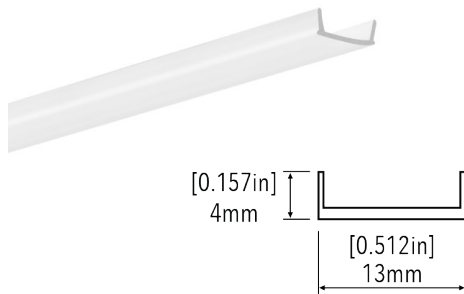
Basic 13mm wide and 4mm in height lens that is compatible with most of Xicato's channels, not UV resistant so best for indoor applications. Transmits 85% light.

Compatible XCC-Channels				
XCC-C-R17	XCC-C-MRC	XCC-C-RSM	XCC-C-CSL	XCC-C-SLM
XCC-C-D45	XCC-C-SS12	XCC-C-CS16	XCC-C-REC	
XCC-C-RND	XCC-C-R32	XCC-C-MSQ	XCC-C-DS12	
XCC-C-DS16	XCC-C-C22	XCC-C-SS15	XCC-C-S45	
SKU				
Product	Collection	Name Code	Surface Code	Length
XCC	L	UNV	CL	
				1
				2

**XCC-L-UNV-FR**  
Universal Frosted



70%



**Description**

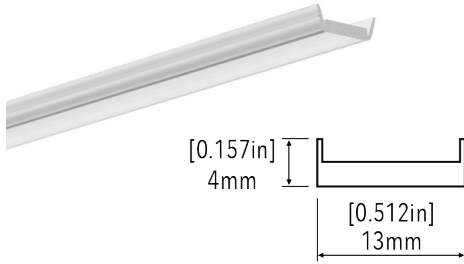
Basic 13mm wide and 4mm in height lens that is compatible with most of Xicato's channels, not UV resistant so best for indoor applications. Transmits 70% light.

Compatible XCC-Channels				
XCC-C-R17	XCC-C-MRC	XCC-C-RSM	XCC-C-CSL	XCC-C-SLM
XCC-C-D45	XCC-C-SS12	XCC-C-CS16	XCC-C-REC	
XCC-C-RND	XCC-C-R32	XCC-C-MSQ	XCC-C-DS12	
XCC-C-DS16	XCC-C-C22	XCC-C-SS15	XCC-C-S45	
SKU				
Product	Collection	Name Code	Surface Code	Length
XCC	L	UNV	FR	
				1
				2

**XCC-L-EX-CL**  
Extreme Clear



89%



**Description**

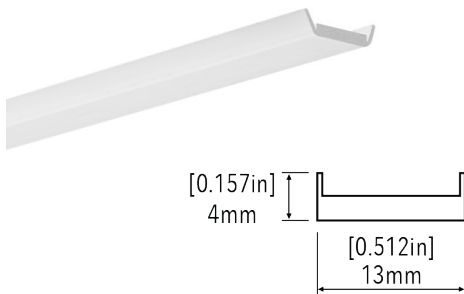
13mm wide and 4mm in height, these rigid covers are durable under extreme climate condition. Double-sided UV protection withstanding temperatures of up to 248°F with 89% light transmission.

Compatible XCC-Channels				
XCC-C-R17	XCC-C-S45	XCC-C-RSM	XCC-C-CSL	XCC-C-MSQ
XCC-C-D45	XCC-C-SLM	XCC-C-CS16	XCC-C-REC	XCC-C-SS15
XCC-C-RND	XCC-C-R32	XCC-C-MRC	XCC-C-DS12	
XCC-C-DS16	XCC-C-C22	XCC-C-SS12	XCC-C-SPF	
SKU				
Product	Collection	Name Code	Surface Code	Length
XCC	L	EX	CL	
				1
				2
				3

**XCC-L-EX-FR**  
Extreme Frosted



70%



**Description**

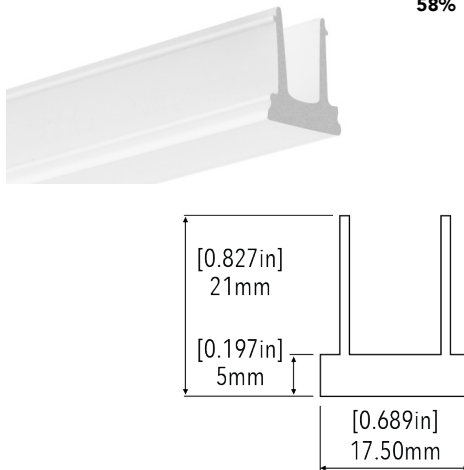
13mm wide and 4mm in height, these rigid covers are durable under extreme climate condition. Double-sided UV protection withstanding temperatures of up to 248°F with 70% light transmission in the frosted version.

Compatible XCC-Channels				
XCC-C-R17	XCC-C-S45	XCC-C-RSM	XCC-C-CSL	XCC-C-MSQ
XCC-C-D45	XCC-C-SLM	XCC-C-CS16	XCC-C-REC	XCC-C-SS15
XCC-C-RND	XCC-C-R32	XCC-C-MRC	XCC-C-DS12	
XCC-C-DS16	XCC-C-C22	XCC-C-SS12	XCC-C-SPF	
SKU				
Product	Collection	Name Code	Surface Code	Length
XCC	L	EX	FR	
				1
				2
				3

**XCC-L-GND-FR**  
In-Ground Frosted



58%



**Description**

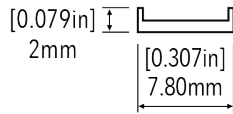
Sturdy lens that easily adapts to the In-Ground channel to seal the fixture. Lens has good fire and mechanical resistance with complete UV protection. Transmits 58% light.

Compatible XCC-Channels				
XCC-C-GND				
SKU				
Product	Collection	Name Code	Surface Code	Length
XCC	L	IG	FR	
				1
				2
				3

**XCC-L-US-FR**  
Ultra Slim Frosted



70%



**Description**

Narrow cover that is compatible with the US Square channel and is UV resistant with good light diffusion. Transmits 70% light.

**Compatible XCC-Channels**

XCC-C-USS

XCC-C-USR

**SKU**

Product	Collection	Name Code	Surface Code	Length
XCC	L	US	FR	1
				2

**LEGEND**



4-year warranty



Restriction of Hazardous Substance



Focusing Lens with 100% light transmission



Universal Clear Pro with 91% light transmission



Universal Frosted Pro with 80% light transmission



Universal Clear with 85% light transmission



Universal Frosted with 70% light transmission



Extreme Clear with 89% light transmission



Extreme Frosted with 70% light transmission



In-Ground Frosted with 58% light transmission



Ultra Slim Frosted with 70% light transmission

Field modifications and installation must comply with all local and national codes as well as Xicato's installation methods, see [xicato.com](http://xicato.com) for more information. Manufacturer retains the right to change specification information at any time.