

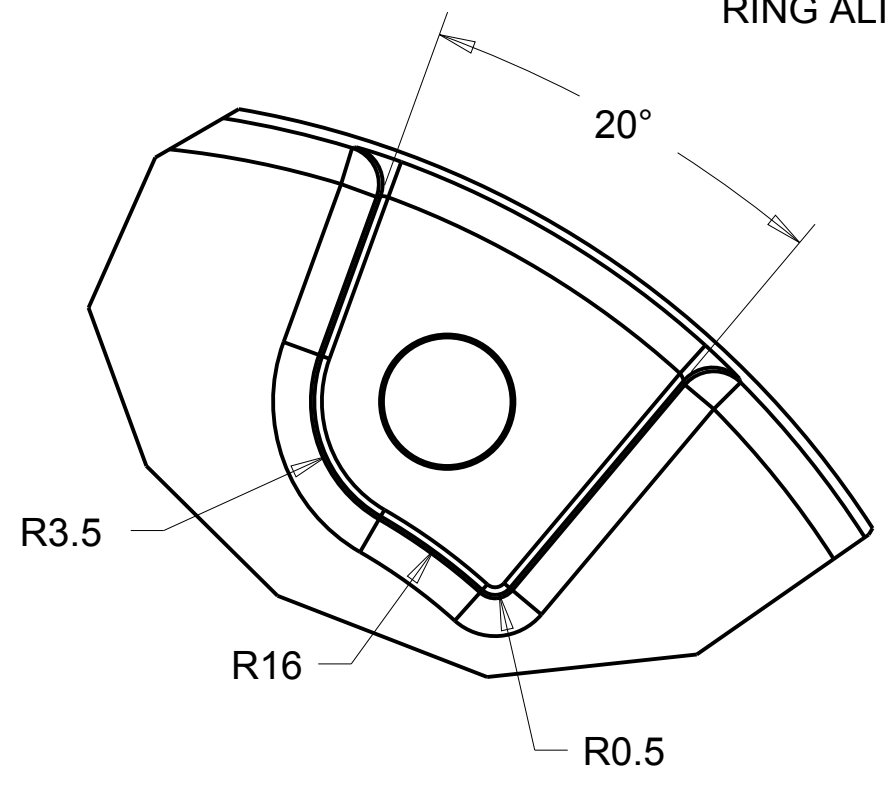
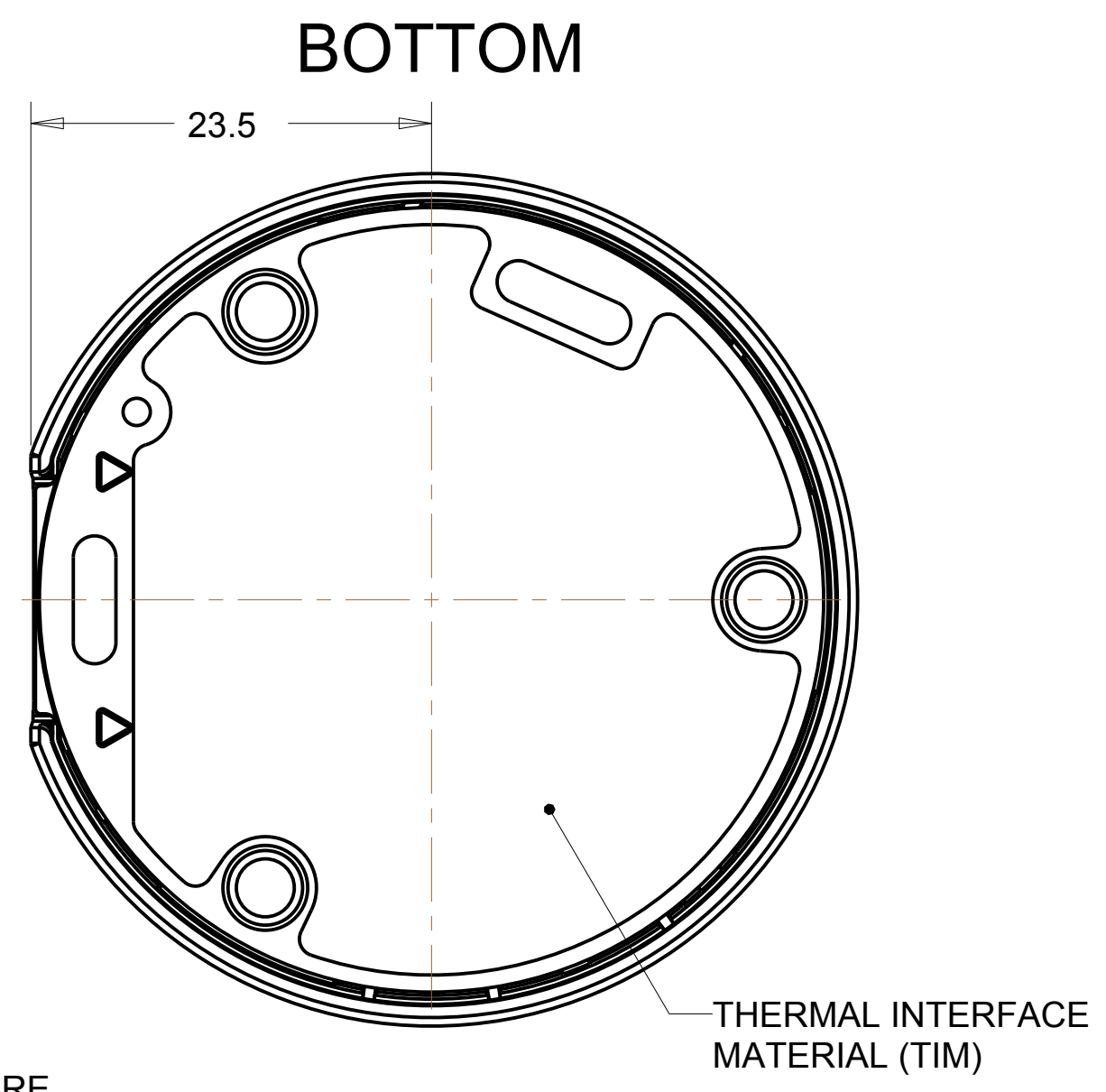
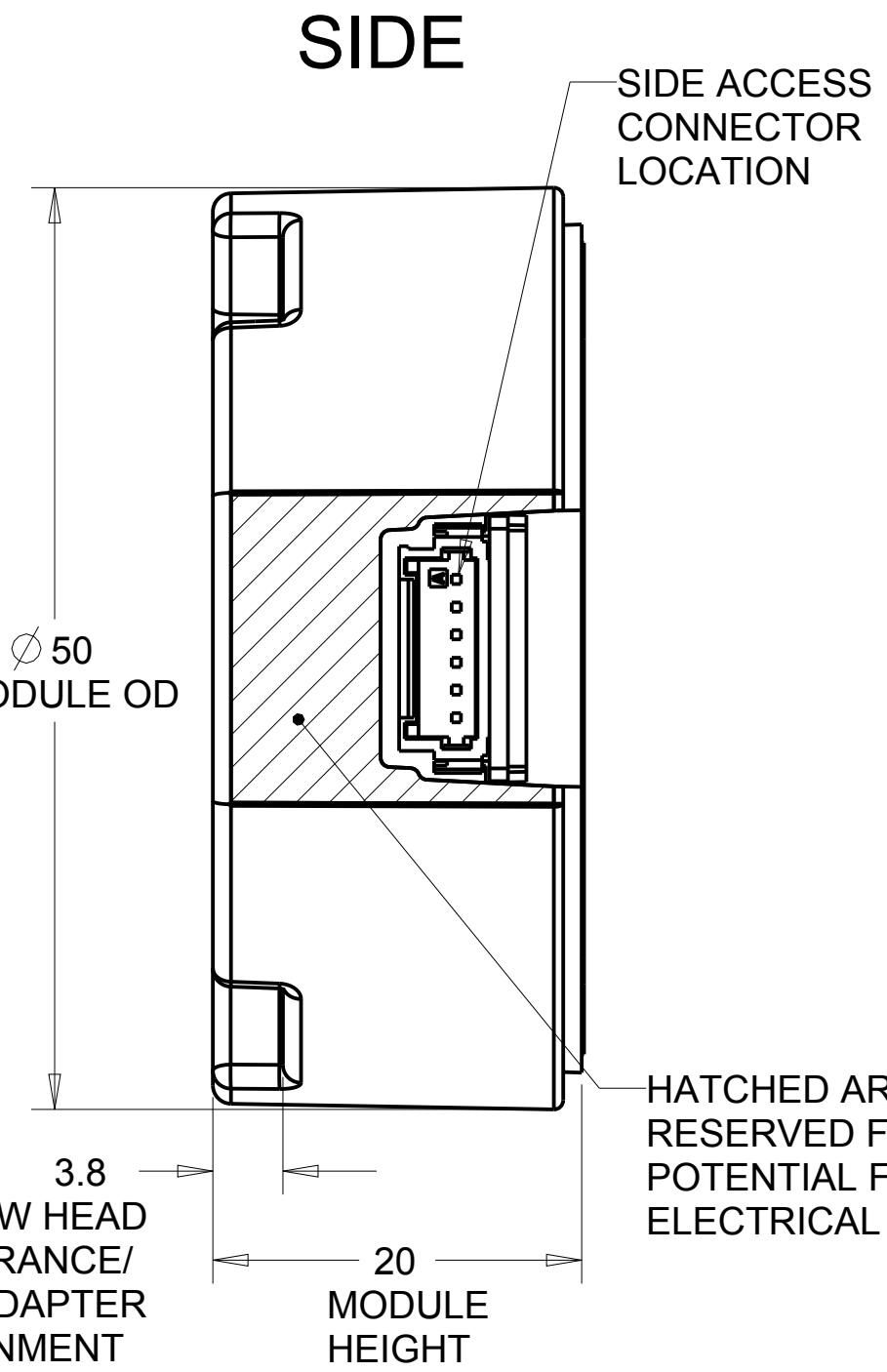
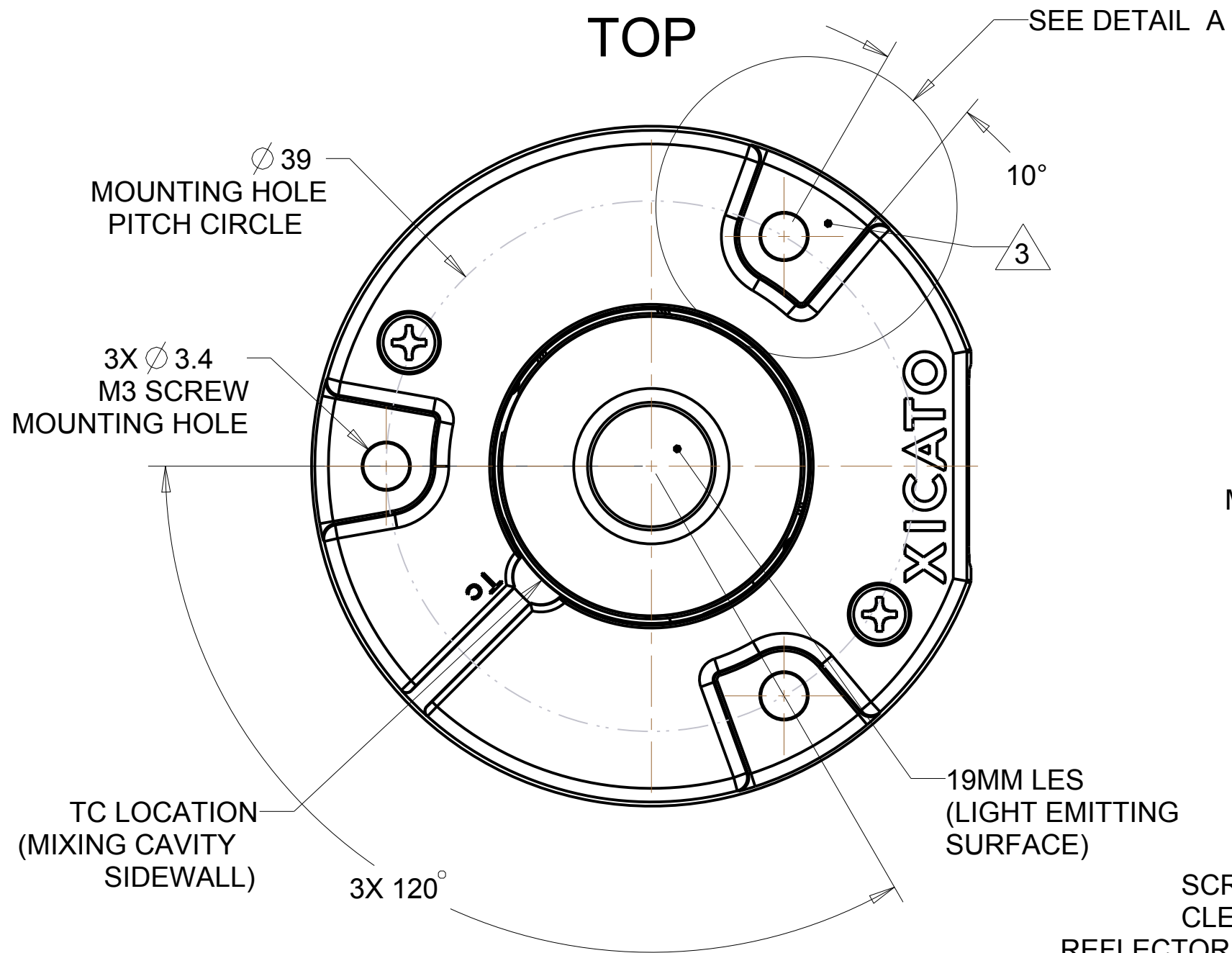
4

3

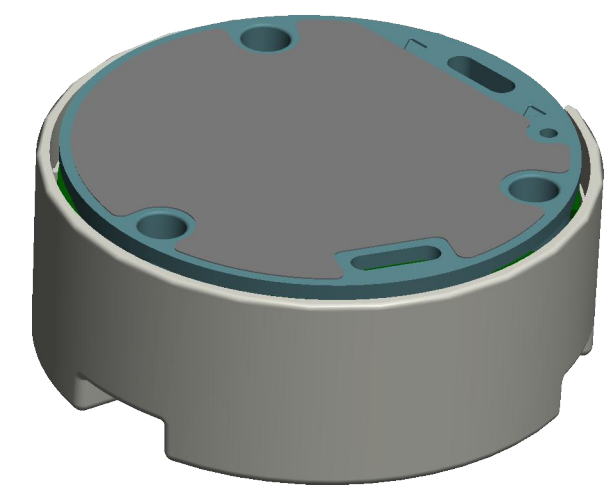
2

1

ZONE	REV	DESCRIPTION	ECN	DATE	APVD
	1	INITIAL RELEASE			
	2	CHANGED TABLE ON SHEET 2		12/16/15	



DETAIL A
SCALE 5.000



NOTES: UNLESS OTHERWISE SPECIFIED

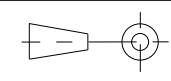
1. XXX
2. XXX
3. FEATURE FOR REFLECTOR ADAPTER RING
4. WIRE HARNESS SUPPLIED BY XICATO OR AVNET, PART # XSA-331
5. MODULE IP RATING: IP20
6. SUGGESTED ASSEMBLY TORQUE = .56 NM (5IN-LB)
7. ASSEMBLE WITH M3 X 25MM SCREWS AND M3 LOCKWASHERS

-CONFIDENTIAL-

THIS DOCUMENT IS AND CONTAINS CONFIDENTIAL AND TRADE SECRET INFORMATION OF XICATO INC.

THIS DOCUMENT IS LOANED FOR LIMITED PURPOSES ONLY AND REMAINS THE PROPERTY OF XICATO INC. IT IS TO BE RETURNED UPON REQUEST AND IN ALL EVENTS UPON COMPLETION OF PURPOSE OF THE LOAN.

NEITHER IT NOR THE INFORMATION IT CONTAINS MAY BE REPRODUCED, USED, OR DISCLOSED TO PERSONS NOT HAVING A NEED TO KNOW CONSISTENT WITH THE PURPOSE OF THE LOAN WITHOUT WRITTEN CONSENT OF XICATO INC.



DATE:	XX
DSR:	XX
REL.:	XX
PROD.:	XX
ENGR.:	XX
CHKD:	XX
CHKD:	XX

XICATO INC		
TITLE 9MM XIM INTERFACE		
DWG SIZE C	PART NUMBER	REV. 2
SCALE: 2.500		SHEET 1 OF 2

4

3

2

1

4

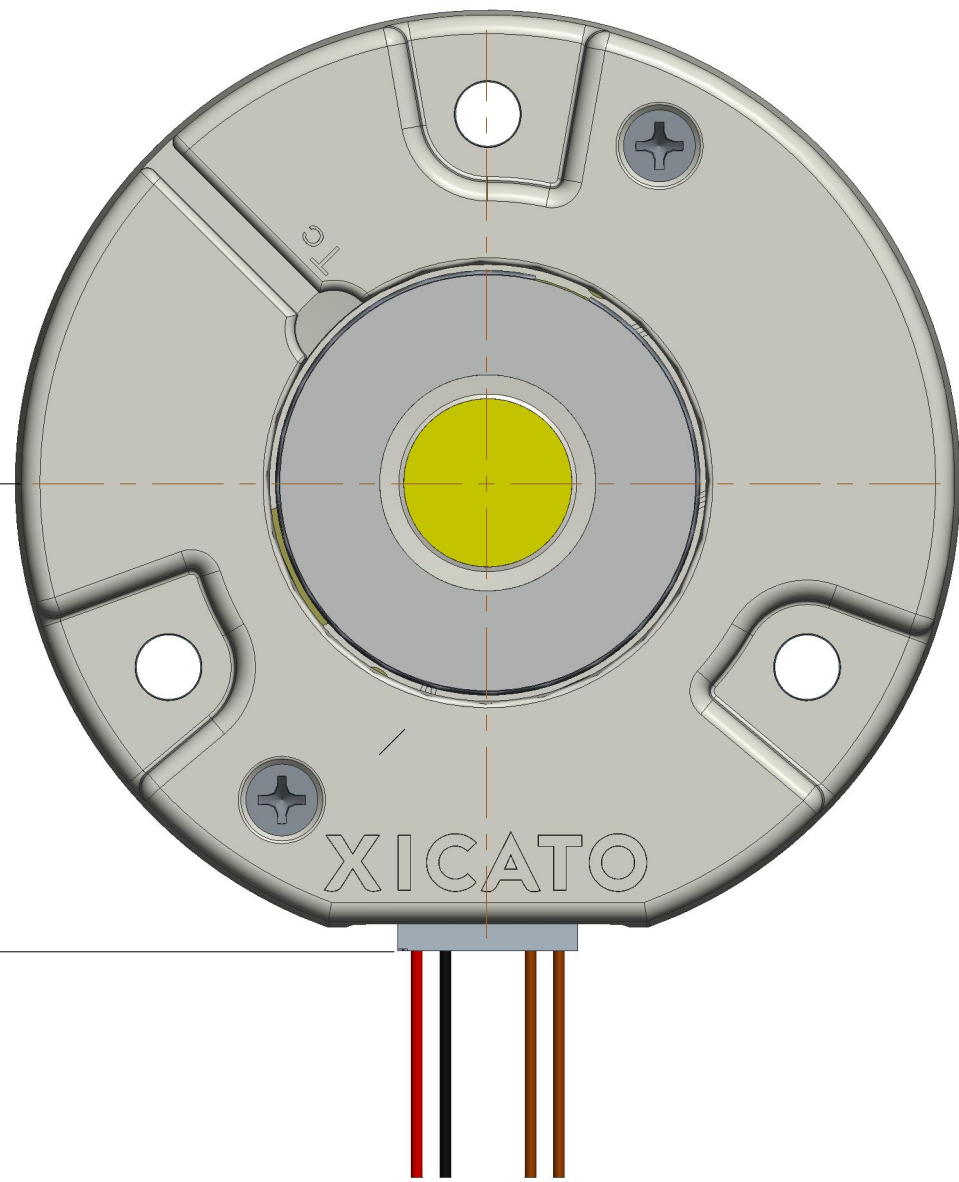
3

2

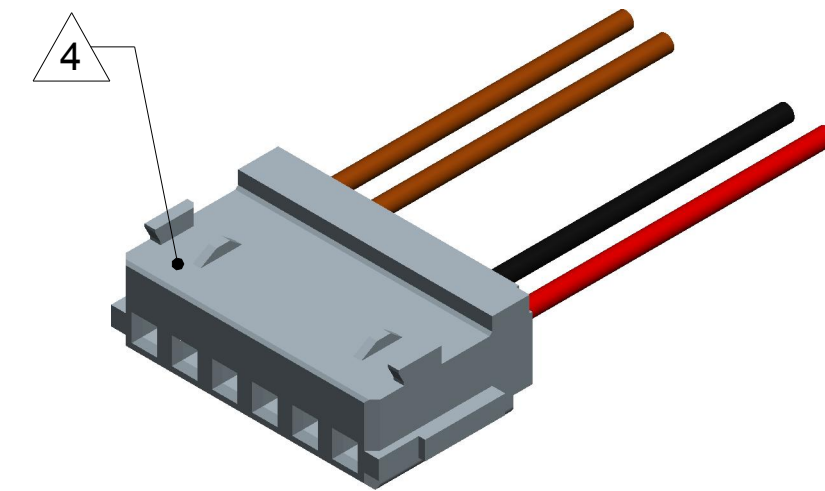
1

ZONE	REV	DESCRIPTION	ECN	DATE	APVD

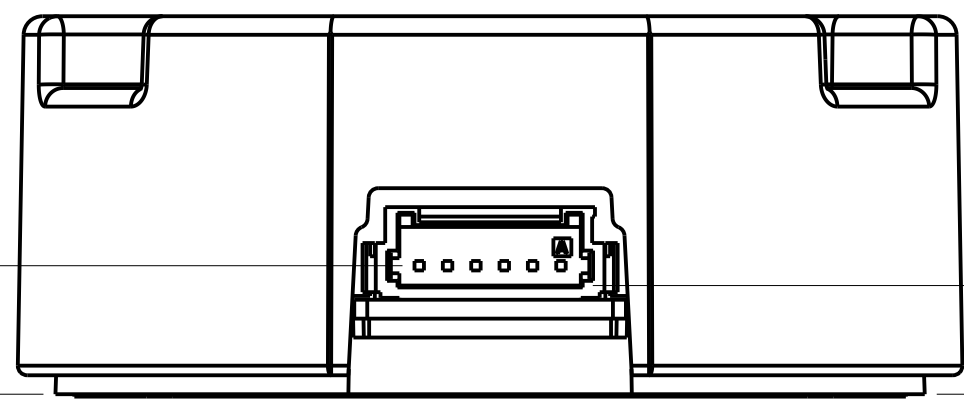
XIMCV SIDE ACCESS DETAIL 6 PIN MINI CT CONNECTOR



24.8
TO BACK
OF MATING
CONNECTOR



XIM-CV PIN OUT						
PIN#	WIRE COLOR	FUNCTION		AWG	RATING	LENGTH
1	RED	+ 48V POWER		24 (1.12 MM MAX INULATION OD)	1200mA	600 MM
2	BLACK	- 48V POWER		24 (1.12 MM MAX INULATION OD)	1200mA	600 MM
3	DNU	XICATO RESERVED		N/A	N/A	N/A
4	DNU	XICATO RESERVED		N/A	N/A	N/A
5	VIOLET	1-10V	DIM +	24 (1.12 MM MAX INULATION OD)	50V 250mA	600 MM
		DALI	CONTROL 1			
6	GREY	1-10V	DIM -	24 (1.12 MM MAX INULATION OD)	50V 250mA	600 MM
		DALI	CONTROL 2			



6.85

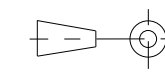
5.8
TO BASE OF
MATING CONNECTOR

-CONFIDENTIAL-

THIS DOCUMENT IS AND CONTAINS CONFIDENTIAL AND TRADE SECRET INFORMATION OF XICATO INC.

THIS DOCUMENT IS LOANED FOR LIMITED PURPOSES ONLY AND REMAINS THE PROPERTY OF XICATO INC. IT IS TO BE RETURNED UPON REQUEST AND IN ALL EVENTS UPON COMPLETION OF PURPOSE OF THE LOAN.

NEITHER IT NOR THE INFORMATION IT CONTAINS MAY BE REPRODUCED, USED, OR DISCLOSED TO PERSONS NOT HAVING A NEED TO KNOW CONSISTENT WITH THE PURPOSE OF THE LOAN WITHOUT WRITTEN CONSENT OF XICATO INC.



DATE:	XX
DSR:	XX
REL.:	XX
PROD.:	XX
ENGR.:	XX
CHKD:	XX
CHKD:	XX

XICATO INC

TITLE
9MM XIM INTERFACE

DWG SIZE C	PART NUMBER	REV. 2
SCALE: 2.500		SHEET 2 OF 2

4

3

2

1