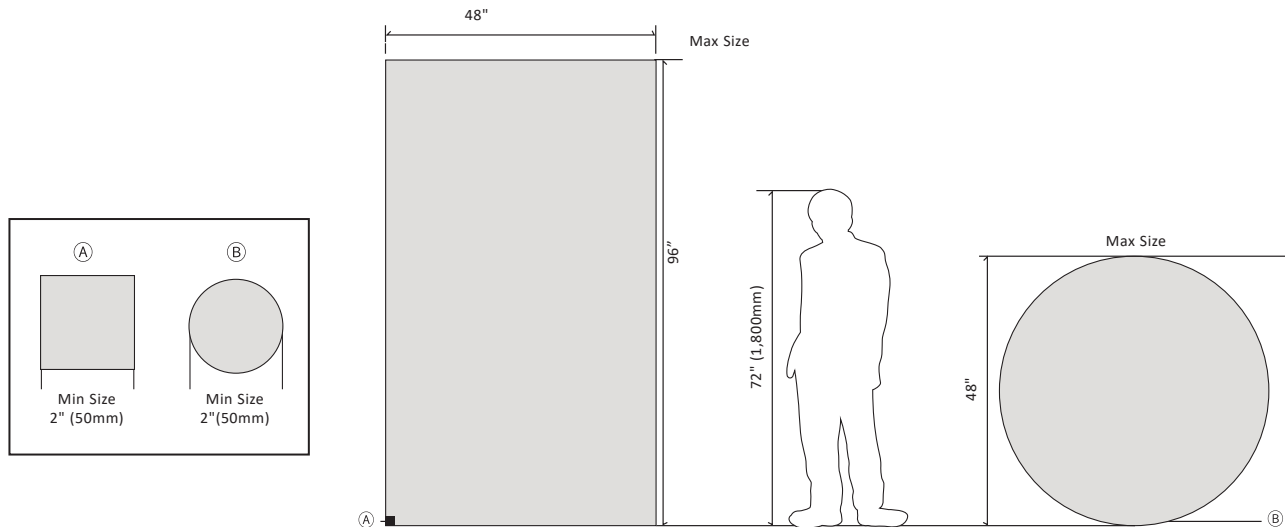


## XLP XICATO LIGHT GUIDE PANEL Panels are Custom Made to Size

Electrical			
Input Voltage	24V DC		
Power Consumption	1.0 Watts/ft (Low Output)	3.7 Watts/ft (Standard)	5.0 Watts/ft (High Output)
Wire Size	18-22 AWG wire, 5', 10' cord with barrel connectors, custom lengths available		
Wiring	Each panel connects directly to class 2 power unit. Do not wire in series.		
Connector	2.1 x 5.5mm barrel plug with 60" or 120" cable. Custom connectors, bare leads Optional		
Certification	UL Listed (#E523046)		
Physical			
Color Temperature	2700K, 3000K, 3500K, 4000K, 5000K, 6000K, 6500k (custom options available upon request minimums may apply)		
Mounting	Surface mount with screws, Z-clips, U-channel, standoffs		
Operating Temperature	- 30 °C ( - 22 °F ) ~ + 48 °C ( + 120 °F )		
Environment	Dry location only (Standard)	Wet location (Custom)	
Dimensions	Min - 5/16" x 2" x 2" Max - 5/16" x 48" x 96" (made to size, call for sizes outside this range)		
Warranty	5 Years		
Weight	2lbs / sq.ft		
Plug-In Power Adaptors			
Power Adaptors	24V DC, 4A, 96W, UL listed - class 2		
Splitter Cables	SC-2 2 way splitter cable	SC-4 4 way splitter cable	SC-5 5 way splitter cable
			SC-8 8 way splitter cable
Hardwire Power Adaptors			
Power Adaptors	24V 60W, 96W Class 2 single output options with screw terminal connection		24V, 96W-288W UL Listed Class 2 junction box LED drivers with 1-3 outputs, Non-dimming, 4 in 1 and 5 in 1 dimming options available
Dimming	Recommended quality 0-10V dimming drivers for best performance		



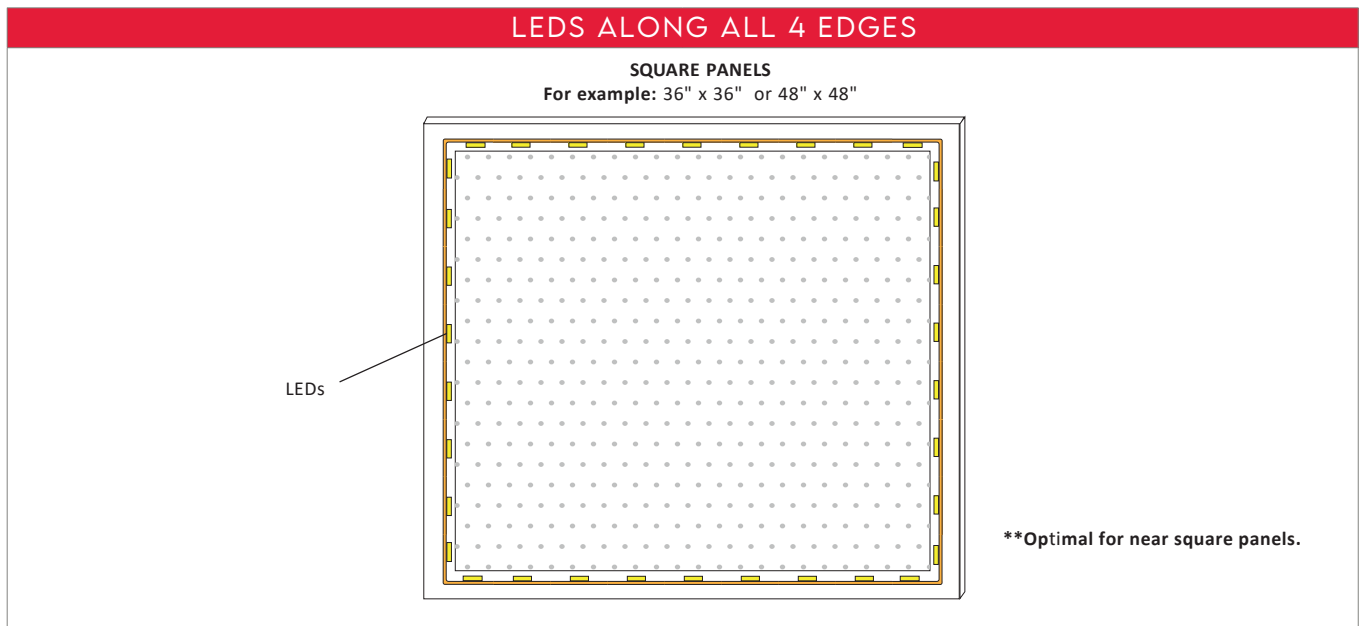
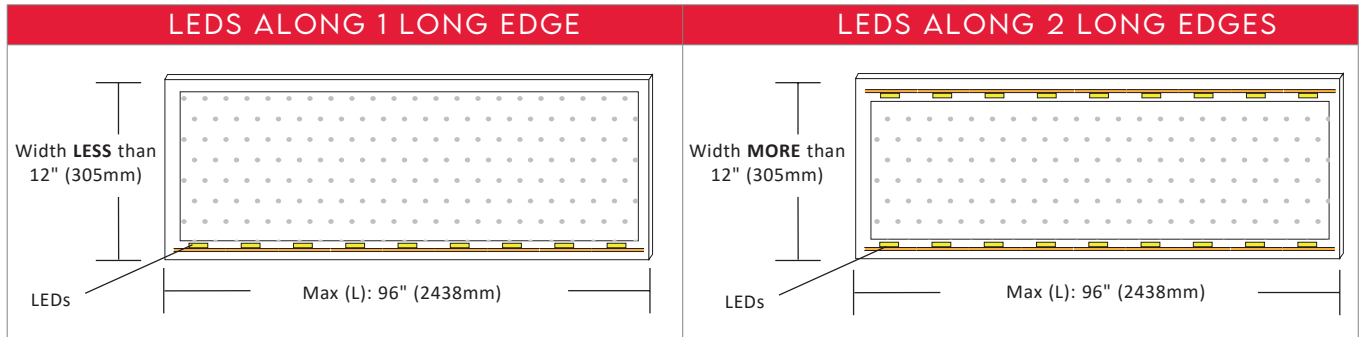
Max Size & Min Size: Custom Made to Size and Luminous Flux Depends on Total Panel Size



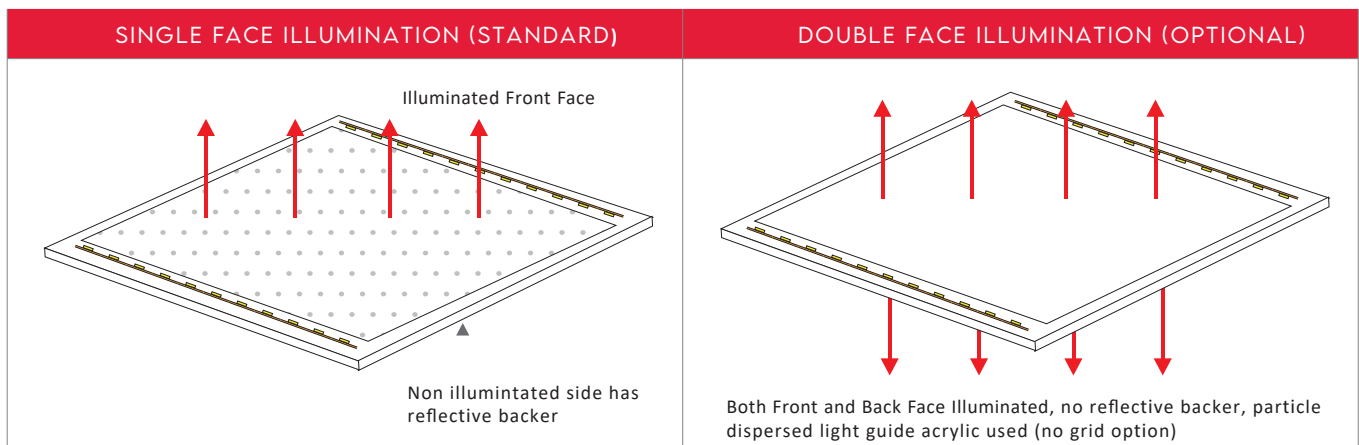
XLP can be made from min. 2" x 2" to max. 48" x 96"

## XLP XICATO LIGHT GUIDE PANEL

### LED INSTALLATION OPTIONS

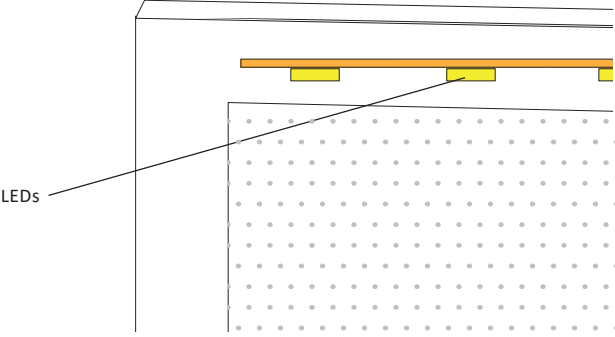
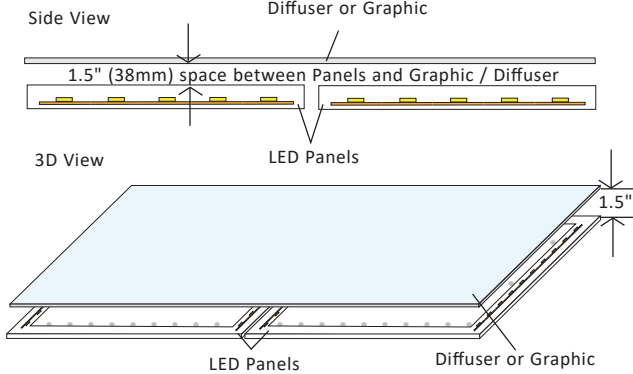


### ILLUMINATED FACE OPTIONS

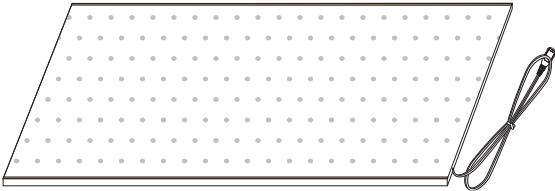
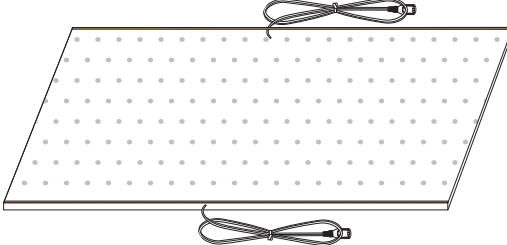
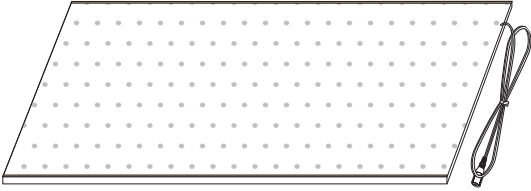
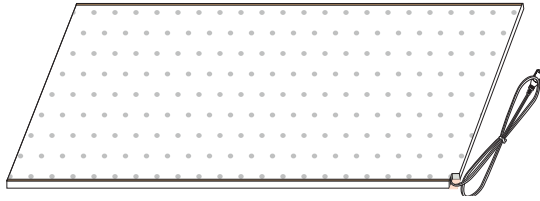


## XLP XICATO LIGHT GUIDE PANEL

### INSTALLATION TIPS

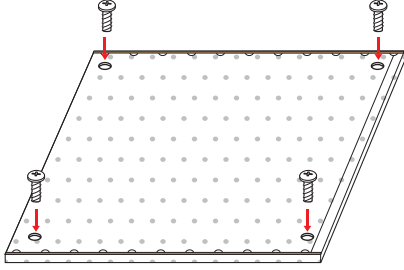
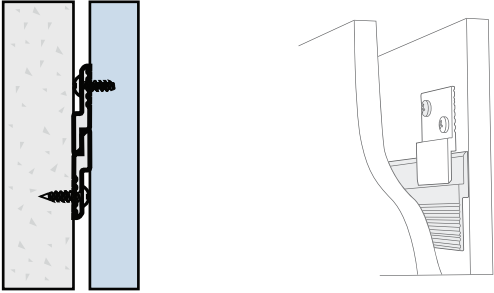
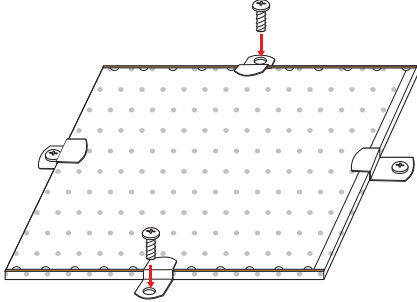
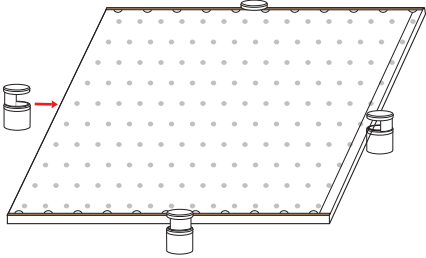
SINGLE PANEL	MULTI-PANEL
 <p>LEDs</p>	 <p>Side View</p> <p>Diffuser or Graphic</p> <p>1.5" (38mm) space between Panels and Graphic / Diffuser</p> <p>3D View</p> <p>LED Panels</p> <p>1.5"</p> <p>LED Panels</p> <p>Diffuser or Graphic</p>
<p>Typically LEDs are installed along a groove 0.25" away from the edge. To completely hide the LED light source (Hot Spots), recess the light panel into the frame by a minimum distance of 0.375".</p>	<p>Installing light panels side by side to form a larger panel, a hot line may be visible along the joint. To avoid this, a thicker diffuser or increased gap between the light panel may be necessary.</p>

### TYPICAL POWER CORD EXITS

CORNER EDGE EXIT	CENTER EDGE EXIT
	
<p>Power cord exits from short side (edge) corner (standard)</p>	<p>Power cord exits from the middle of each long side for panels longer than 6</p>
BACK EXIT	NOTCHED EXIT
	
<p>Power cord exits from the back side of panel</p>	<p>Recessed (notched) power cord exits</p>

## XLP XICATO LIGHT GUIDE PANEL

### MOUNTING OPTIONS

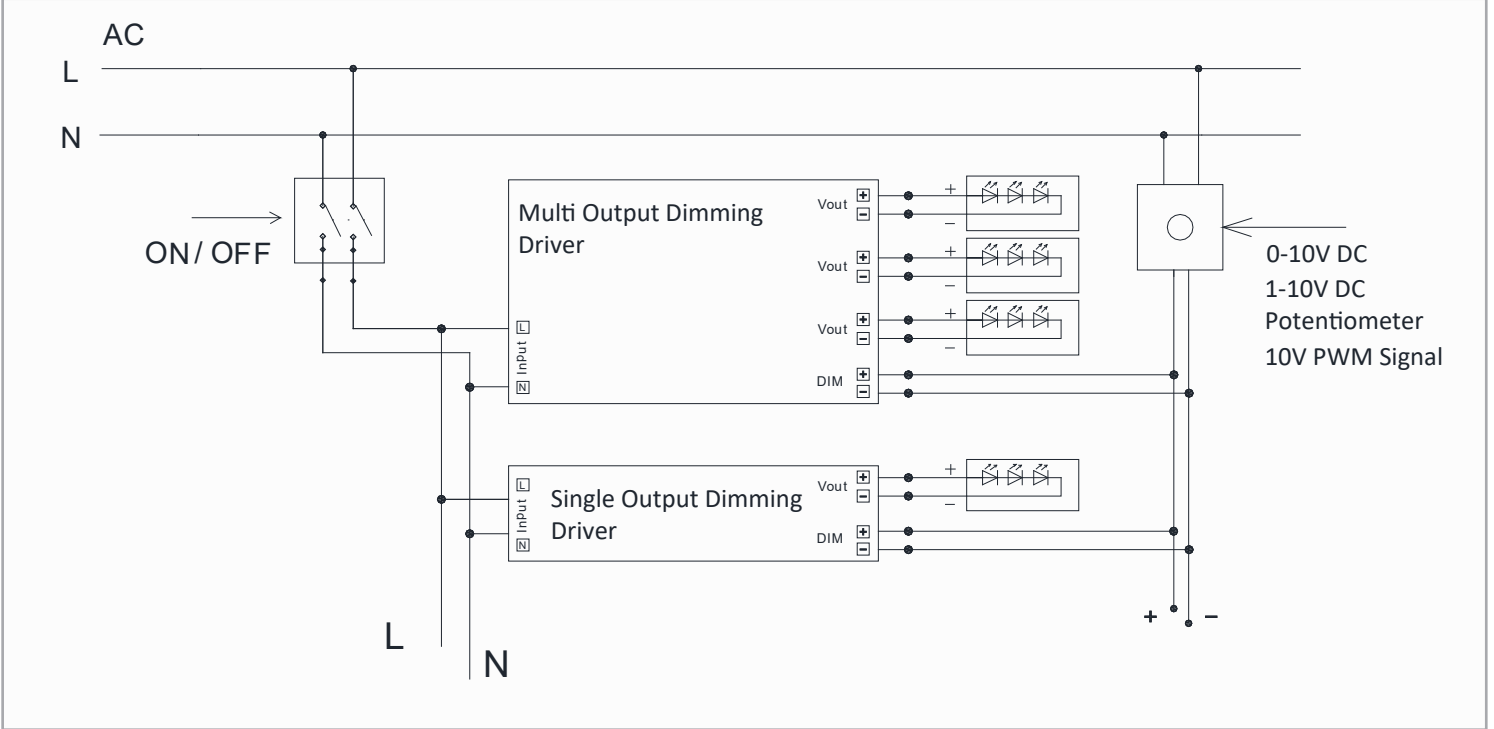
THROUGH HOLE	Z-CLIP
	
<p><b>Screw mounting with predrilled holes</b> *factory drilled holes retain warranty</p>	<p><b>Wall mounting with Z-Clips</b></p>
EDGE BRACKETS	EDGE GRIP STANDOFFS
	
<p><b>Mounting with edge brackets</b></p>	<p><b>Mounting with stand offs</b></p>

### INSTALLATION GUIDELINES:

- Light panels may be installed horizontal on flat surfaces with minimal fasteners as long as the product is fully supported.
- Diffusion materials such as glass, stone or plastics may be installed directly on top of the front face of the Light panel.
- Never use adhesives on the back side of the light panel. The back surface is not designed to hold any load. Damage caused by improper use will not be covered under warranty.
- Due to the custom nature of the product standard mounting hardware is not provided. The mounting options outlined are for reference only. Contact us for guidance if you are unsure about your mounting solution.
- When mounting on a vertical surface make sure that your hardware can support the full load of the material. The light panel weighs approximately 2 lbs per s/f.
- Large panels need to be kept vertical or supported when handling. Do not allow the panel to bend during installation. This may dislodge and damage the LEDs. Team lift is recommended.
- It is not recommended to cut or drill the panel on location. Aside from potential damage to the LEDs, debris can easily be introduced between the reflective backer and the light guide panel. This debris may be visible and cause an undesirable look after installation. Damage from onsite fabrication will not be covered under warranty.
- When storing the product, ensure that it is kept flat at all times. If it is stored leaning or on an uneven surface the panel may warp and cause for a difficult installation.

## XLP XICATO LIGHT GUIDE PANEL

### RECOMMENDED: 0/1 - 10V DIMMING



### NON DIMMING

